



The R176-P-08 woofer by Rival Acoustics features a proprietary non-pressed Carbon/ Pulp cone. Extended bass and silky smooth midrange make the R176-P-08 mid-woofer perfect for hi-end studio, home theater and home listening environments.

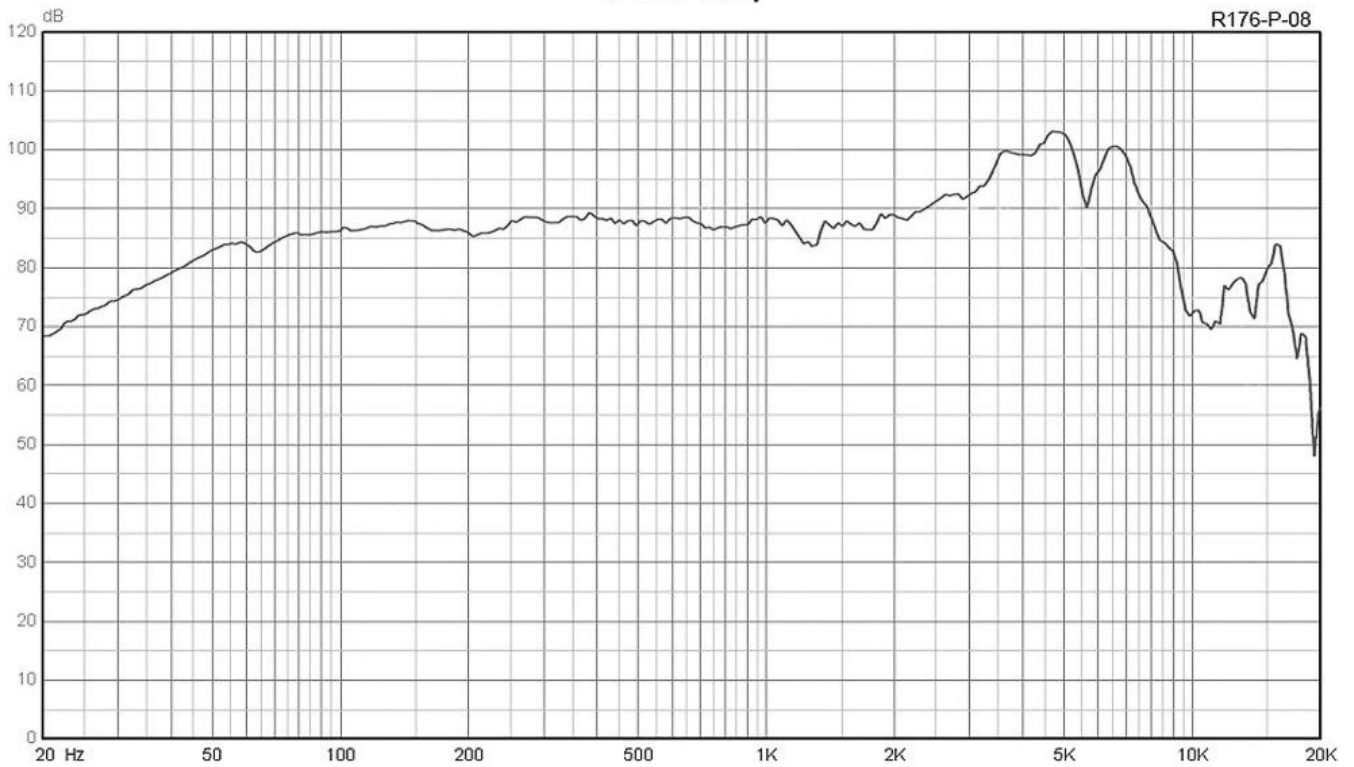
A 39 mm voice coil wound on a vented fiberglass former produces high stability, exceptional power handling and excellent efficiency. This is augmented by a large 120 mm magnet assembly with an aluminium stabilizing ring and an extended copper cap on the vented pole. The R176-P-08 is finished in a generously ventilated cast aluminium chassis, gold plated connectors and a flat Conex spider.

Features:

- Proprietary non – pressed carbon/ pulp cone
- 39mm voice coil
- Vented fibreglass former
- Aluminium stabilizing ring
- Extended copper pole sleeve
- Vented pole piece
- Cast aluminium frame
- Conex spider
- Gold plated connections
- Foam gasket

SPL vs Freq

R176-P-08

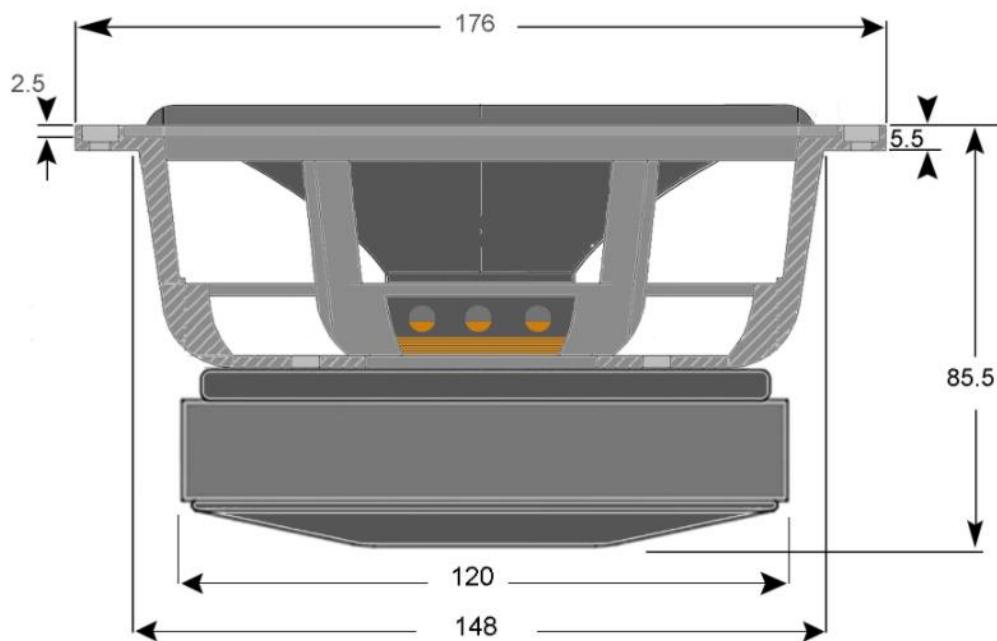
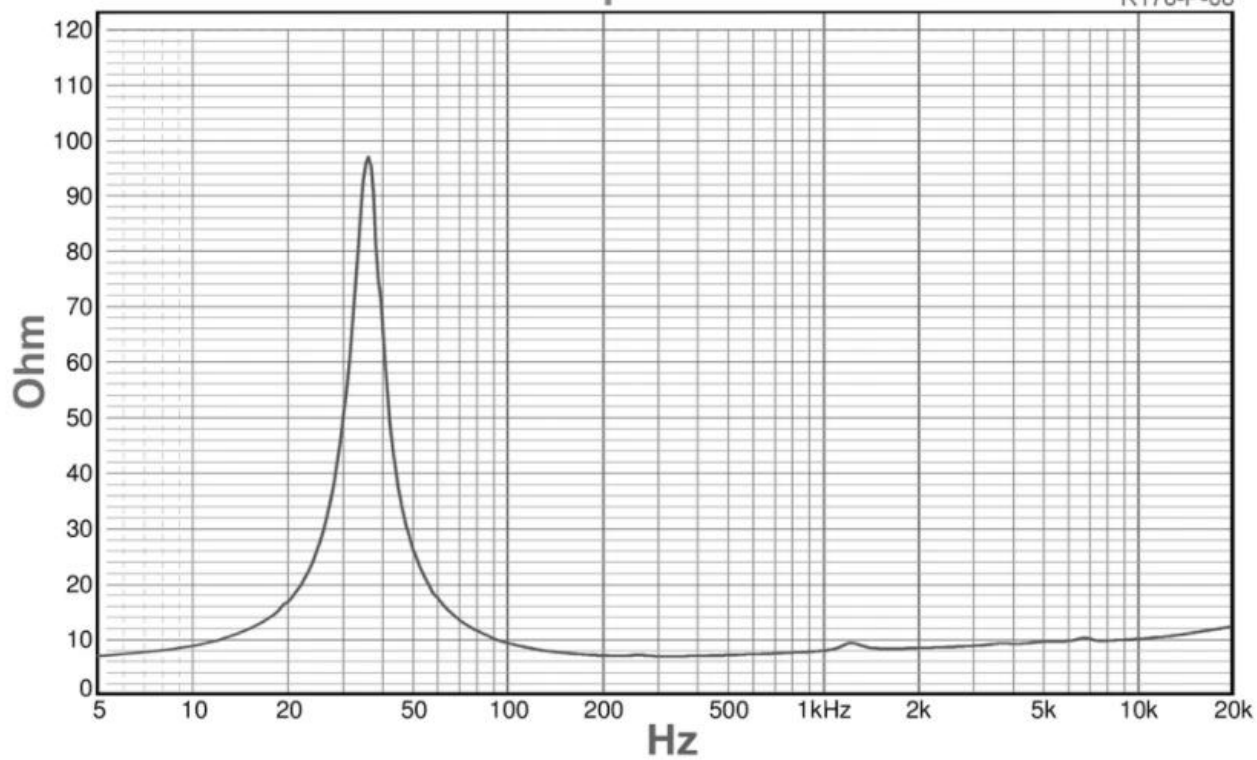


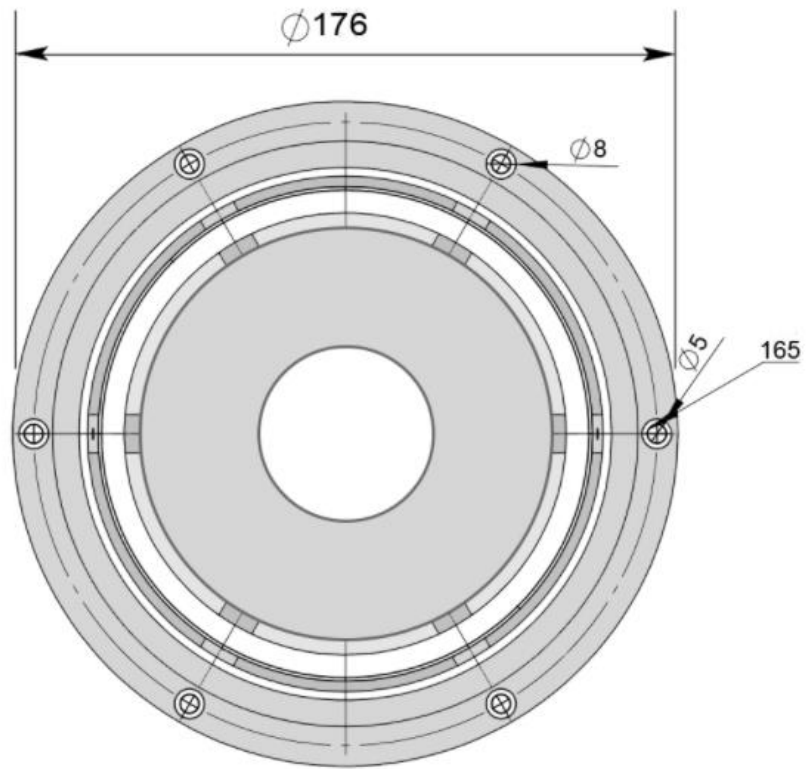
Thiele Small parameters

- R_{vc} 6.4 Ohms
- F_r 36.00 Hz
- S_d 131.00 cm²
- V_{as} 26.00L
- C_{ms} 1.10 m M/N
- M_{ms} 17.70 gms
- B_L 7.90 T/M
- Q_{ms} 5.30
- Q_{es} 0.368
- Q_{ts} 0.344
- L_e 0.314 mH
- SPL 88db @2.83V/1m
- Liner Excursion +/- 6mm
- Continuous Power 70W (IEC 268-5)
- Weight 2.5 Kgs

Impedance

R176-P-08





Made in Canada



Fabrique en Canada

Rival Acoustics reserves the right to change technical data without notice.