

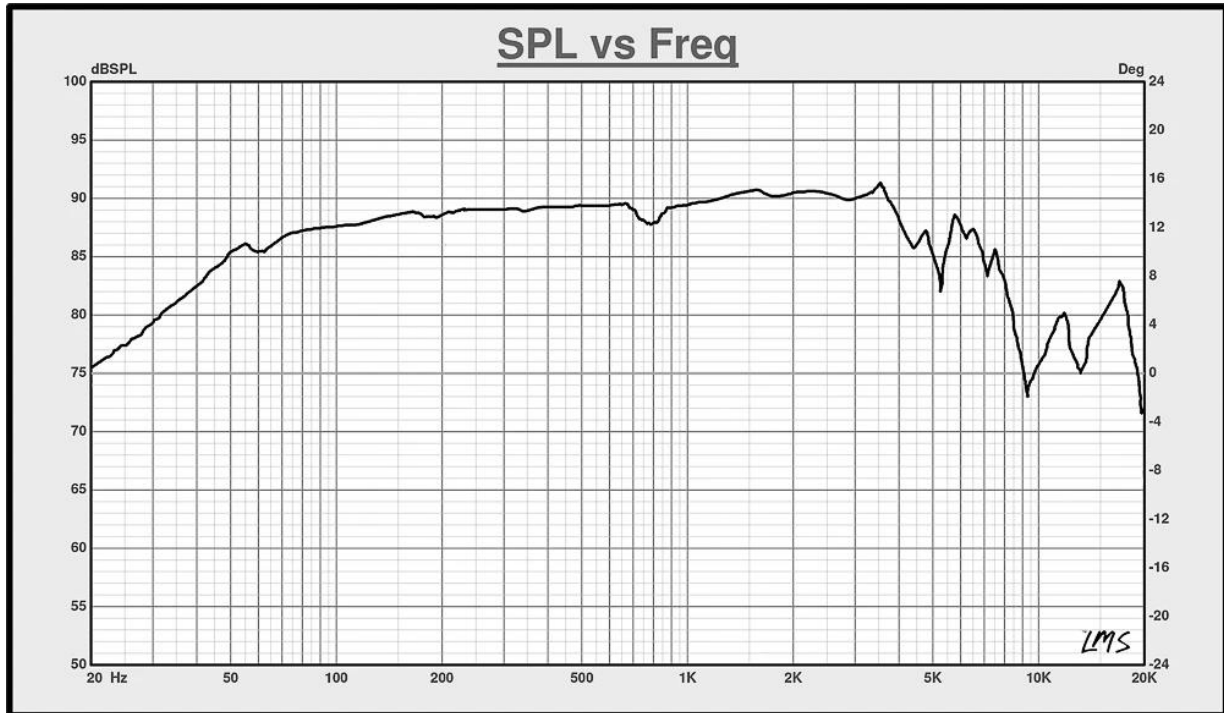


The R176-KB-08 woofer by Rival Acoustics features a superbly designed Kevlar cone with aluminum dust cap. Extended bass and transparent midrange make the R176-KB-08 mid-woofer perfect for hi-end studio, home theater, and home listening environments.

A 39 mm voice coil wound on a vented fiberglass former produces high stability, exceptional power handling and excellent efficiency. This is augmented by a large 120 mm magnet assembly with an aluminum stabilizing ring and an extended copper cap on the vented pole. The R176-KB-08 is finished in a generously ventilated cast aluminum chassis, gold plated connectors and a flat Conex spider.

Features:

- Kevlar cone
- Aluminum dust cap
- 39mm voice coil
- Vented fibreglass former
- Aluminum stabilizing ring
- Extended copper pole sleeve
- Vented pole piece
- Cast aluminium frame
- Conex spider
- Gold plated connectors
- Foam gasket

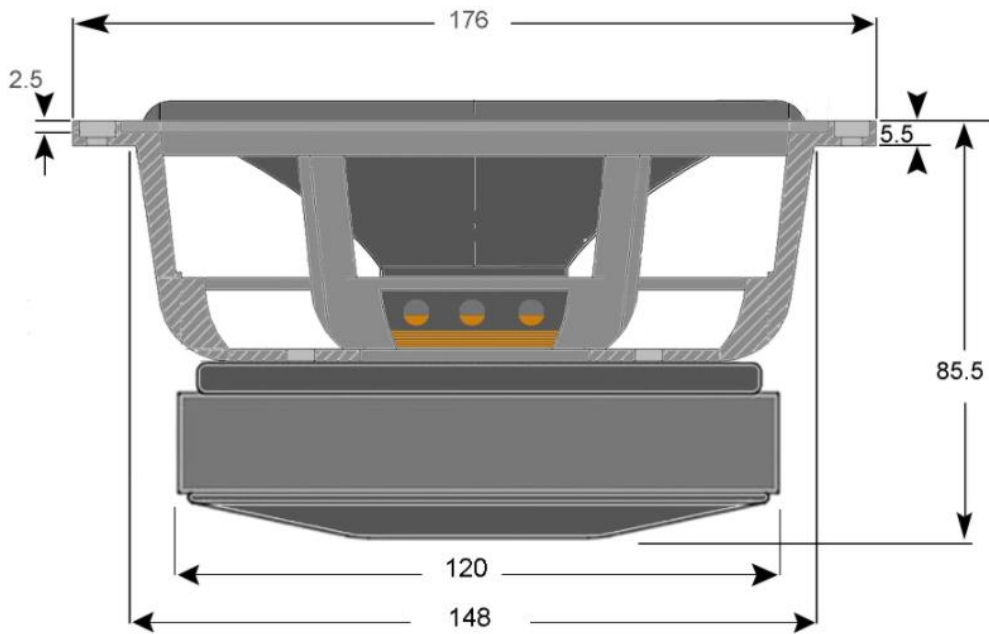
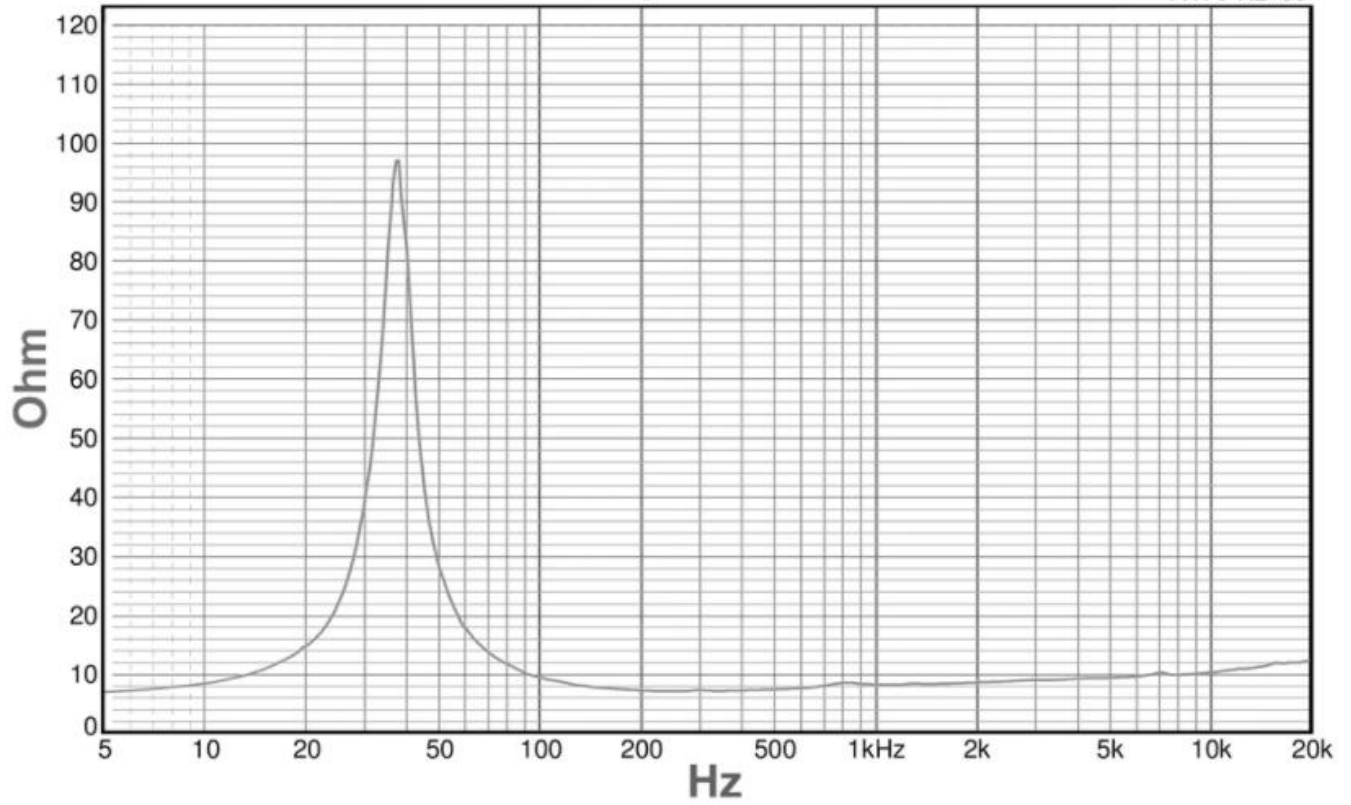


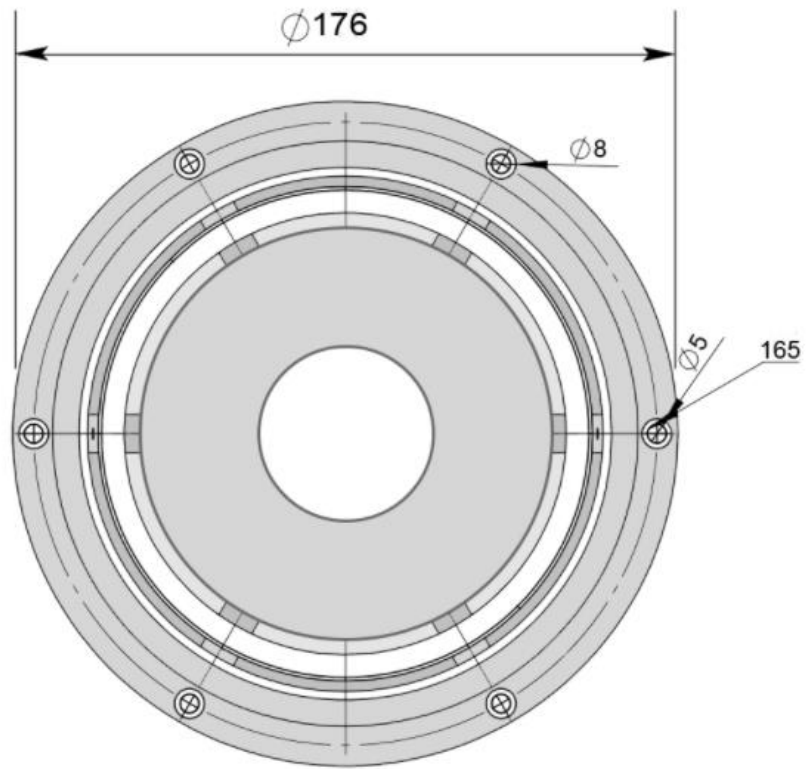
Thiele Small parameters

- Revc 6.500 Ohms
- Fr 37.000 Hz
- Sd 131.000 cm²
- Vas 29.000L
- Cms 1.100 m M/N
- Mms 16.500 g
- BL 7.830 T/M
- Qms 5.664
- Qes 0.413
- Qts 0.385
- Le 0.131 mH
- SPL 88 db @2.83V/1m
- Liner Excursion +/- 6mm
- Continuous Power 70W (IEC 268-5)
- Weight 2.5 Kgs

Impedance

R176-KB-08





Made in Canada



Fabrique en Canada

Rival Acoustics reserves the right to change technical data without notice.